

Light and smart.

Brand new wheel material,
Elastomer wheel is now available.



415E-L100mm

Running quietly and softly without leaving scratches or marks on the floor.
Widely used for office equipment, indoor vehicles, lightweight racks, DIY, etc.



220E-L50mm



420SR-L75mm



415E-L100mm



420K-L50mm



420EA-L100mm



420 5EX-L100mm

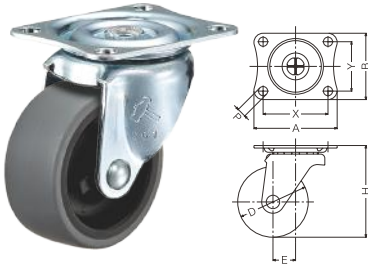
**NEW
PRODUCT**



Elastomer wheel cast 50・65・75・100mm

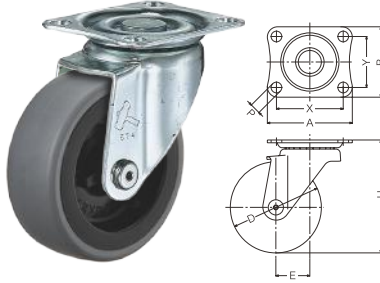
420G-L 50mm

Swivel type
Trivalent chromate coated
■ Elastomer tread on PP hub wheel



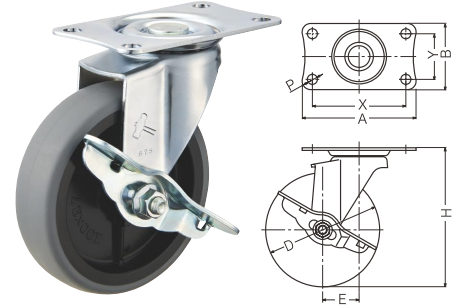
420S-L 75mm

Swivel type
Trivalent chromate coated
■ Elastomer tread on PP hub wheel



415E-L 100mm

Swivel type with stopper
Deco-chrome coated
■ Elastomer tread on PP hub wheel



Product code			Load Capacity 1pc(daN)	Overall height Hmm	Fitting plate A×Bmm	Fitting pitch X×Ymm	Hole diameter Pmm	Offset Emm	Tread width mm
Model No.	Wheel	Size (mm)							
420 G 415 G	- L	50	30	65	59×47	46×35	6.5	16.0	21
		65	40	80	70×58	55×42	8.8	21.0	27
		75	50	90	70×58	55×42	8.8	21.0	27
420 S 413 S	- L	65	50	85	70×58	55×42	8.8	29.0	27
		75	60	93	70×58	55×42	8.8	28.0	27
420 E 415 E	- L	50	30	65	70×42	56×28	6.5	21.0	21
		65	30	82	70×42	56×28	6.5	24.0	21
		75	40	92	70×42	56×28	6.5	29.0	21
		100	50	122	100×58	82×40	8.8	32.0	27

- Offering a wide range of products, including each series, swivel type, swivel type with stopper, and fixed type.
- The products in the table are representative and can be used in a wide range of products.

Related Products

Sus オールステンレス キャスター
Applicable to all stainless steel type which is excellent in corrosion resistance and water resistance.

静 しずか キャスター
The "Quiet" series takes ball bearings for the swivel section and wheel bore.

■ Ideal for kitchen facilities

■ Be quieter, be smarter.



■ What is Elastomer (TPE)?

Rubber

Elastomer

Synthetic resin

Elastomer is a polymer material that is expected to play a wide range of roles in the industrial field because it combines the excellent properties of elastic rubber and easily molded and recyclable plastics.

Please consult our sale offices below for more details.



● Manufacturing Factory
Headquarters factory
4-7-35, Nishi-Iwata, Higashi-Osaka, Osaka 578-0947 Japan
Hirakata factory
3-2-1, Shodaidajika, Hirakata, Osaka 573-1132 Japan

HAMMER CASTER SALES

● Hammer Caster Sales Co., Ltd. (as Sales company)
Tokyo Branch
6-5-4, Shimbashi, Minato-ku, Tokyo 105-0004 Japan
Osaka Branch
1-2-6, Aramoto, Higashi-Osaka, Osaka 577-0023 Japan

■ Please feel free to ask for any caster consultancy.

■ Click and follow our official SNS accounts.

E-mail : info@hammer-caster.co.jp
Web : www.hammer-caster.com

www.facebook.com/hammercasterofficial/

www.instagram.com/hammer_caster_official/

Copyright © 2024 Hammer Caster Co., Ltd. All Rights Reserved.