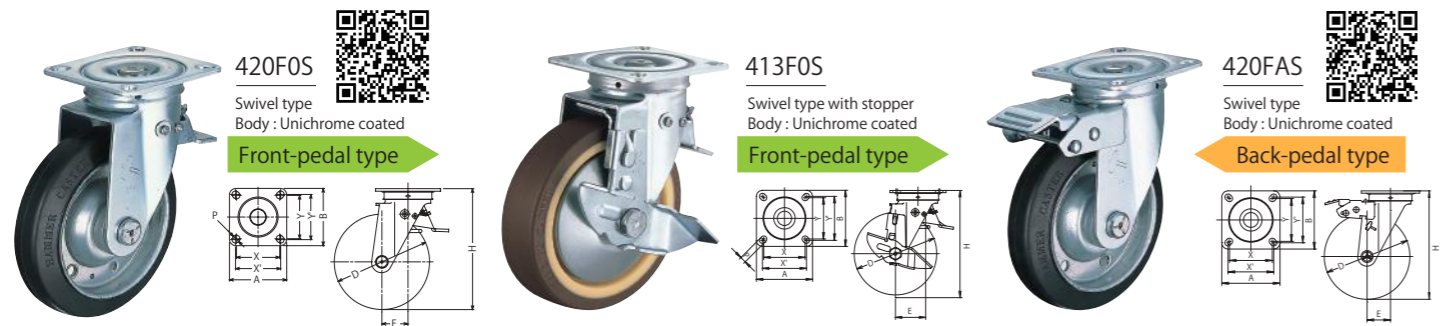
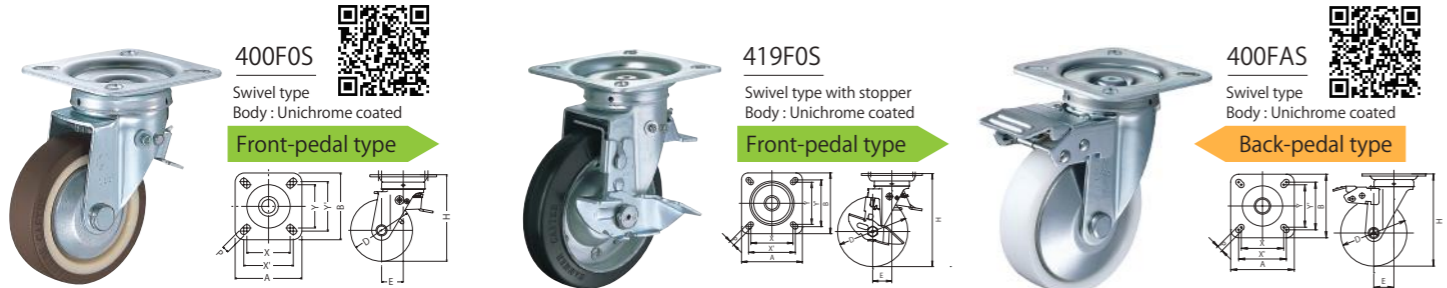


Product Lineup

Switch Caster



Product code			Load Capacity 1pc(daN)	Wheel composition	Overall height	Fitting plate	Fitting pitch	Fastening hole dia.	Tread width
Model No.	Wheel	Size(mm)			Hmm	A×B mm	X×Y mm (X'×Y') mm	Pmm	mm
420 F0S	-	100	120	Pressed iron hub rubber tread wheel with resin bush	132	90×90	68×68 (71×71)	11	32
413 F0S	R	125	150		168	102×102	75×75 (80×80)	11	38
420 FAS		150	160		190	102×102	75×75 (80×80)	11	40



Product code			Load Capacity 1pc(daN)	Wheel composition	Overall height	Fitting plate	Fitting pitch	Fastening hole dia.	Tread width
Model No.	Wheel	Size(mm)			Hmm	A×B mm	X×Y mm (X'×Y') mm	Pmm	mm
400 F0S	-	100	120	Pressed iron hub rubber tread wheel with resin bush	140	108×108	70×70 (80×80)	11	32
419 F0S	R	125	150		174	120×120	80×80 (90×90)	11	38
400 FAS		150	160		199	130×130	90×90 (100×100)	11	40

● A wide range of wheels other than the above are also available.



Please consult our sale offices below for more details.



● Manufacturing Factory
Headquarters factory
4-7-35, Nishi-Iwata, Higashi-Osaka, Osaka 578-0947 Japan
Hirakata factory
3-2-1, Shodaiajika, Hirakata, Osaka 573-1132 Japan



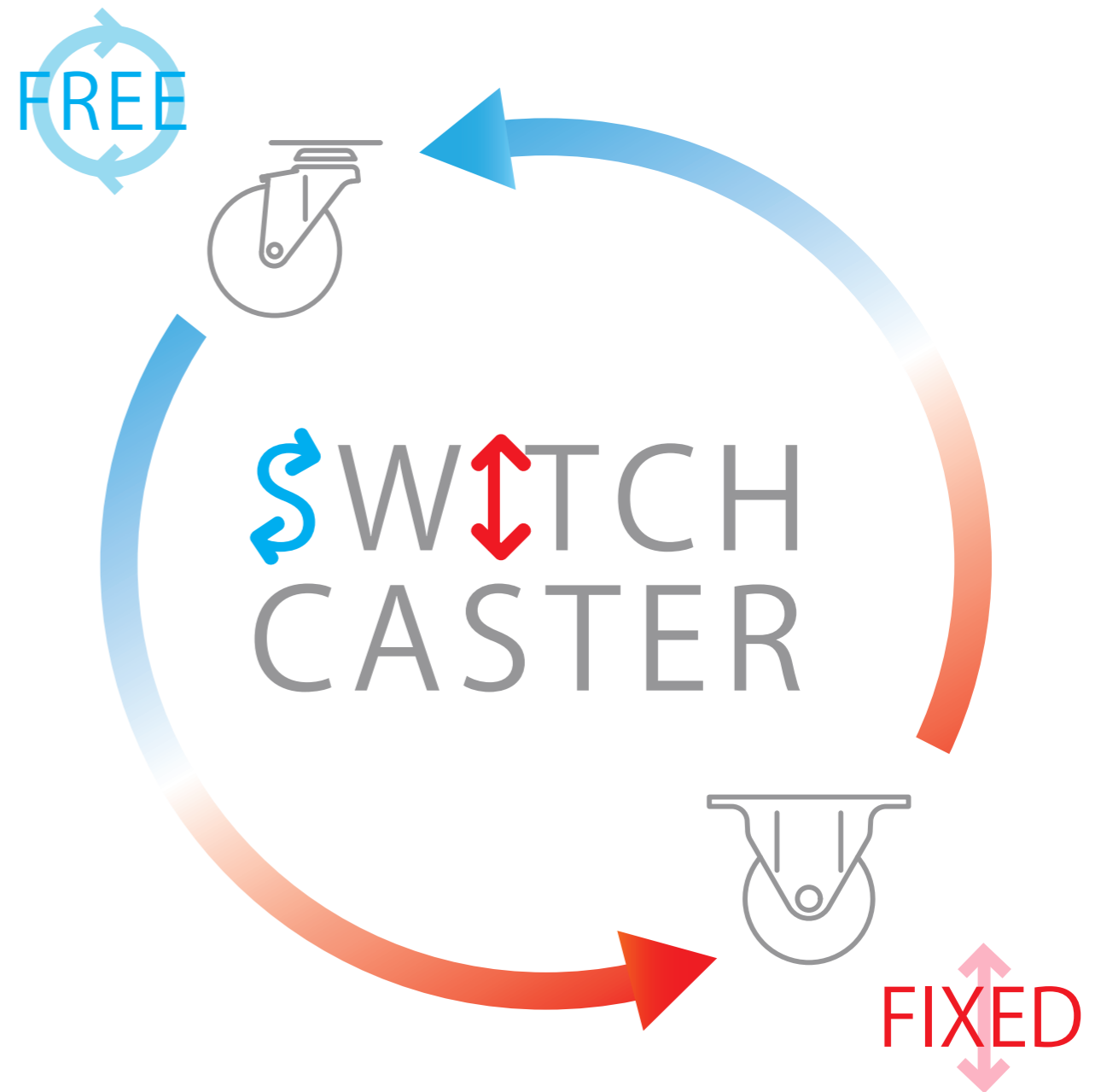
● Hammer Caster Sales Co., Ltd. (as Sales company)
Tokyo Branch
6-5-4, Shimbashi, Minato-ku, Tokyo 105-0004 Japan
Osaka Branch
10-35, Shinjo-Nishi, Higashi-Osaka, Osaka 578-0964 Japan

■ Please feel free to ask for any caster consultancy.
E-mail : info@hammer-caster.co.jp
Web : www.hammer-caster.com

■ Click and follow our official SNS accounts.
www.facebook.com/hammercasterofficial/

www.instagram.com/hammer_caster_official/

Copyright © 2018 Hammer Caster Co., Ltd. All Rights Reserved.



Swivel ⇔ Fixed, the way you want.

SWITCH CASTER

A caster that switches between swivel and fixed.

- An innovative one-touch operation.
- Caster with bold concept of switching swivel and fixed.



Available with 2 types of pedals for different purposes.

Front-pedal type

Back-pedal type



[FOS]

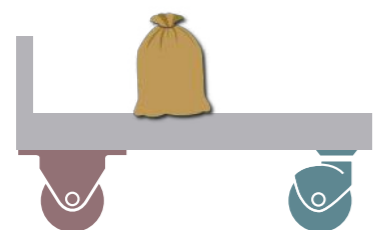
[FAS]

Simple pedal operation switches between swivel type and fixed type.

*The switch pedal position of "front" and "back" accord to the direction of travel.

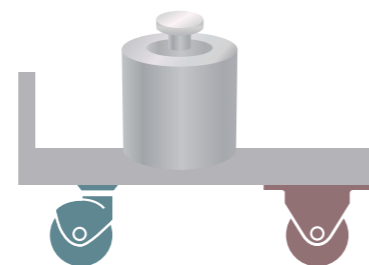
Most suitable for hand-truck use.

For carrying general or relatively light loads...



Back : 2 Fixed + Front : 2 Swivel

For carrying heavy loads...



Back : 2 Swivel + Front : 2 Fixed

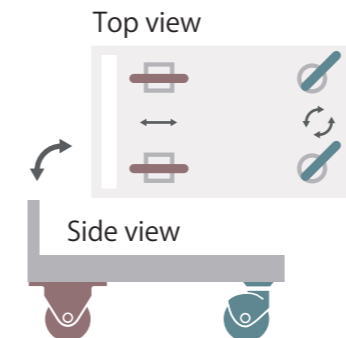
For more variations...

[4 swivel casters] for tight turning and positioning on narrow roads.
[4 fixed casters] for repeating a round trip in a straight line. etc...

The one roles double covers quadro-duties to optimize your work.

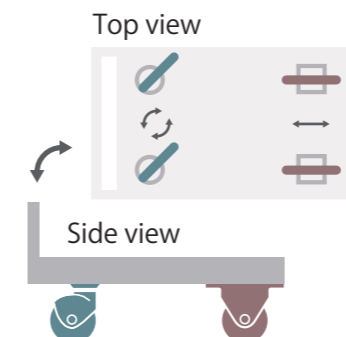
Description on wheel position arrangements

- Back : 2 Fixed + Front : 2 Swivel



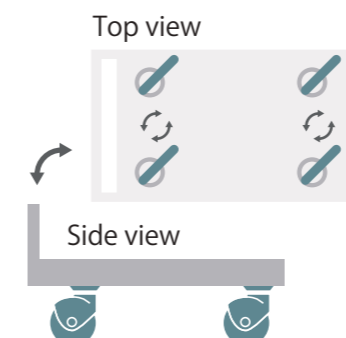
A common combination taken in factories and distribution warehouses and ideal for carrying light duties. Fixed casters on handle side stabilize the running direction so that the cart won't wobble. However, it is not suitable for transporting heavy duty because a large force is required for turning.

- Back : 2 Swivel + Front : 2 Fixed



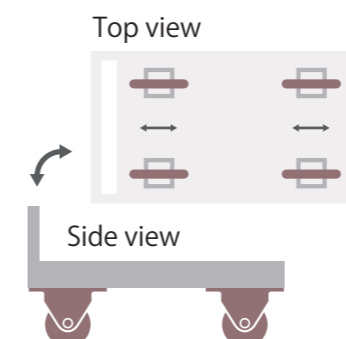
A common combination taken when carrying a large load or heavy load. Swivel casters on handle side draw the lever principle and make turning easier. However, when empty load or little load, the linear operability goes less than that of the back-fixed type.

- 4 Swivel casters



Common combination taken to shopping carts and flat carts. Applying 4 swivel casters enables carts to move in the desired directions and it is convenient for lateral moves. It is easy to operate on a flat floor but it slides on a road surface with a gentle slope.

- 4 Fixed casters



It is a combination used for repeating a round trip in a straight line. It is used for a round trip within the factory.

Now, let's
SWITCH