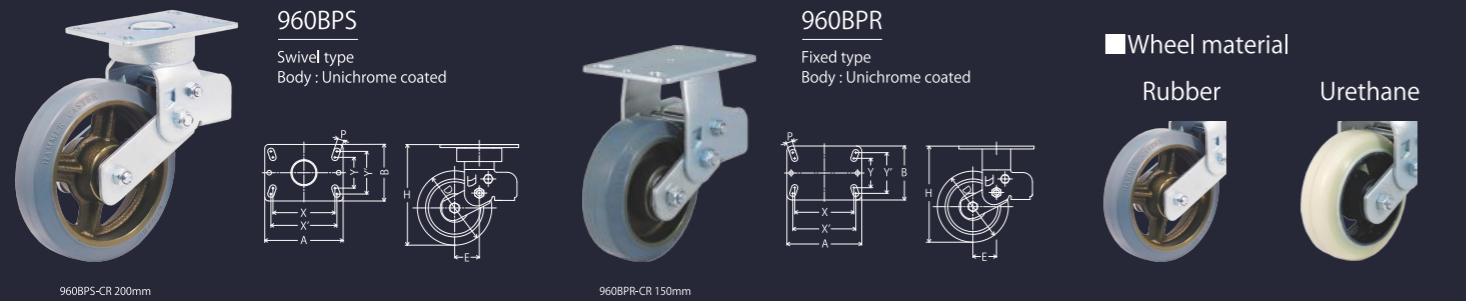


960BPS (Swivel type) / 960BPR (Fixed type)



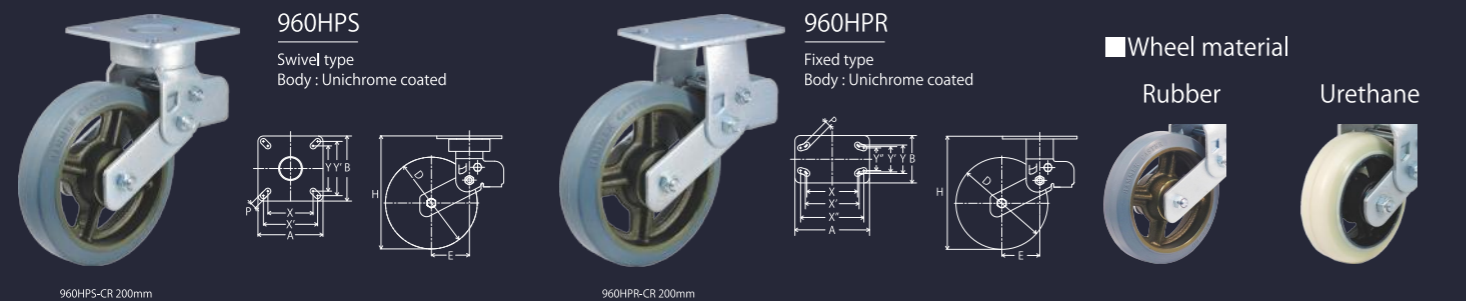
Product code			Set load 1pc(daN)	Wheel composition [Tread base] Cast iron hub with ball bearing	Overall height H mm	Top Plate A x B mm	Fitting Pitch X x Y mm (X' x Y') mm	Fastening hole dia. P mm	Offset E mm	Swivel radius mm	Tread width mm
Model No.	Wheel	Size (mm)									
960 BPS	- CR	150	125	Rubber tread wheel	204~194	158 x 114	125 x 62 (133 x 86)	13	50 ~ 55	132	50
	- CU			Urethane tread wheel							
	- CR	200		Rubber tread wheel	250~235	158 x 114	125 x 62 (133 x 86)	13	84 ~ 92	194	50
	- CU			Urethane tread wheel							
960 BPR	- CR	150	125	Rubber tread wheel	204~194	158 x 114	125 x 62 (133 x 86)	13	-	-	50
	- CU			Urethane tread wheel							
	- CR	200		Rubber tread wheel	250~235	158 x 114	125 x 62 (133 x 86)	13	-	-	50
	- CU			Urethane tread wheel							

The built-in spring buffers heavy load impacts.

Cushion Caster 960 series



960HPS (Swivel type) / 960HPR (Fixed type)



Product code			Set load 1pc(daN)	Wheel composition [Tread base] Cast iron hub with ball bearing	Overall height H mm	Top Plate A x B mm	Fitting Pitch X x Y mm (X' x Y') mm	Fastening hole dia. P mm	Offset E mm	Swivel radius mm	Tread width mm
Model No.	Wheel	Size (mm)									
960 HPS	- CR	200	125	Rubber tread wheel	250~235	144 x 144	100 x 100 (120 x 120)	13	84 ~ 92	194	50
	- CU			Urethane tread wheel							
960 HPR	- CR	200	125	Rubber tread wheel	250~235	165 x 105	112 x 63 (119 x 56) (140 x 50)	13	-	-	50
	- CU			Urethane tread wheel							

HPS HPR models only take in 200mm wheels.

*(X' x Y') is a pitch applicable to HPR model only.



- 1) The set load indicates the load that provides the most cushioning effect on vibration.
- 2) The set load may vary depending on the location of the casters, running speed and road conditions.
- 3) Please make sure to apply swivel casters for front-wheels and fixed casters for back-wheels.

Applicable to heavy loading.

Set Load 125daN

Buffering Impacts

Robust & Durable

Stable & Smooth

Flexible Application

*The set load indicates the load that provides the most cushioning effect on vibration.

*The set Load when using 4 casters is 500 daN.



Manufacturing Factory
Headquarters factory
 4-7-35, Nishi-Iwata, Higashi-Osaka, Osaka 578-0947 Japan
Hirakata factory
 3-2-1, Shodaiajika, Hirakata, Osaka 573-1132 Japan



Hammer Caster Sales Co., Ltd. (as Sales company)
Tokyo Branch
 6-5-4, Shimbashi, Minato-ku, Tokyo 105-0004 Japan
Osaka Branch
 10-35, Shinjo-Nishi, Higashi-Osaka, Osaka 578-0964 Japan

Please feel free to ask for any caster consultancy.
 E-mail : info@hammer-caster.co.jp
 Web : www.hammer-caster.com

Click and follow our official SNS accounts



www.facebook.com/hammercasterofficial/



www.instagram.com/hammer_caster_official/

Dumper rubber and built-in spring buffer impacts

■ The excellent buffering effect prevents the goods from falling or being damaged.

Product Features



Buffering Impacts

- The built-in spring and rubber dumper creates the excellent buffering effect.
- The travel vibration is reduced to 1/10 muting the noise.

Robust & Durable

- Highly durable due to the very thick sheet used for body and cast iron wheel.
- The swivel section is dust-free with ball bearing installed, which cuts off the running cost.

Stable & Smooth

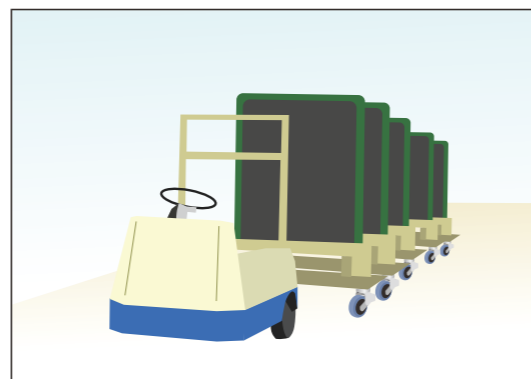
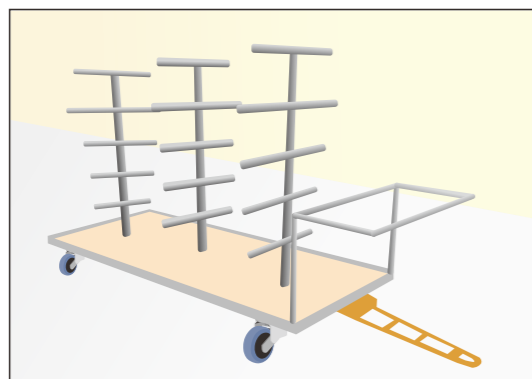
- The ball bearings installed the swivel section and wheel bore help a long-term quality keeping.
- Labour saving by the smooth and stable travelling performance.

Flexible Application

- Available in swivel type and fixed type. Fitting pitch has 2 variations on each model.
- The fitting pitch has a range of tolerance for flexible application.

Installation images

- Used for power traction trucks in automobile manufacturing plants and transport trucks in forkless distribution warehouses.



from travelling. Vibration is reduced to 1/10.

■ Cushion caster for heavy duties, useful for safety measures and efficiency improvement at the working site.

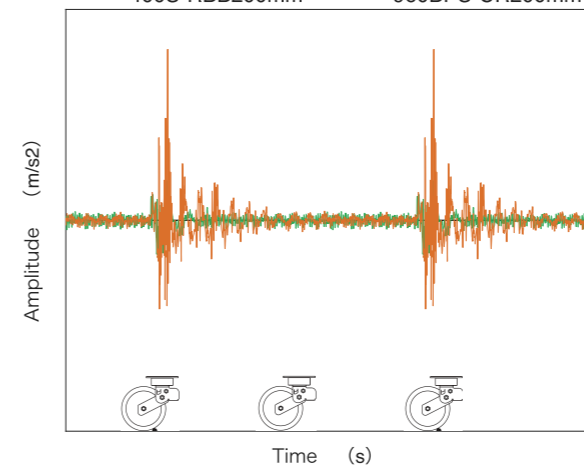
Vibration acceleration table

Comparison between cushion caster 960BPS and standard caster 420S.



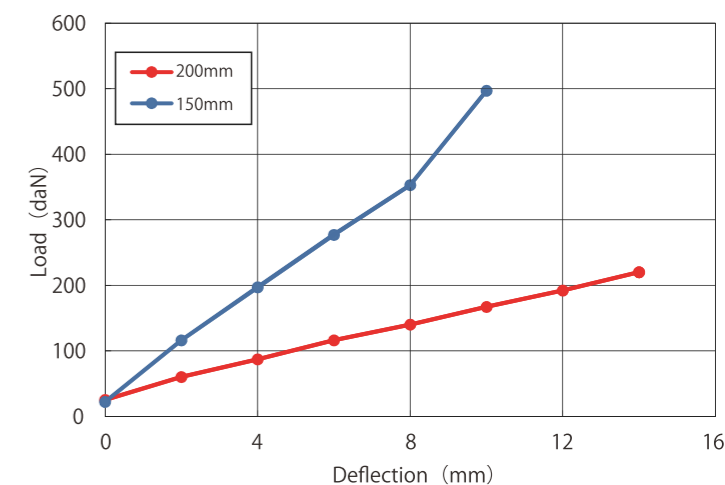
time axis waveform

— 400S-RBB200mm — 960BPS-CR200mm



Load strain data

Data table showing relationship between load and deflection of cushion casters 960 BPS.



単位 : daN

Wheel size	Deflection							
	0mm	2mm	4mm	6mm	8mm	10mm	12mm	14mm
150mm	22	116	197	277	353	497		
200mm	25	60	87	116	140	167	192	220

*Wheel deflection is not included.

Wheels



- Rubber wheel (CR) : The soft running prevents damage to the floor and reduces noise.
- Being excellent in cushioning properties, gray wheels prevent contamination of the floor.



- Urethane wheel (CU) : Light and smooth running reduces the burden on workers.
- Excellent in oil resistance and wear resistance. Providing a long service life.

*Due to the nature of the material, the cushioning effect may not be obtained sufficiently.