

Re-designed cushion caster in pursuit of efficiency and optimization.  
Your mobile carts are now for an upgrade.

Elastomer wheel is gentle to floor surfaces and does not leave scratches or stains.  
The synergistic effect of the built-in spring reduces harmful vibrations transmitted from the floor, gently protecting valuable cargo.



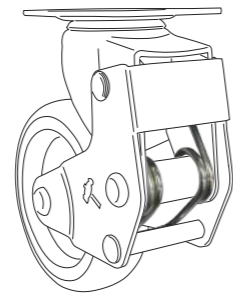
429E-L75

Elastomer  
PP hub



429E-LZ75

Elastomer  
PP hub  
ball bearing



Shock absorbing mechanism:  
Built-in spring  
(Kick spring)



Installation sample

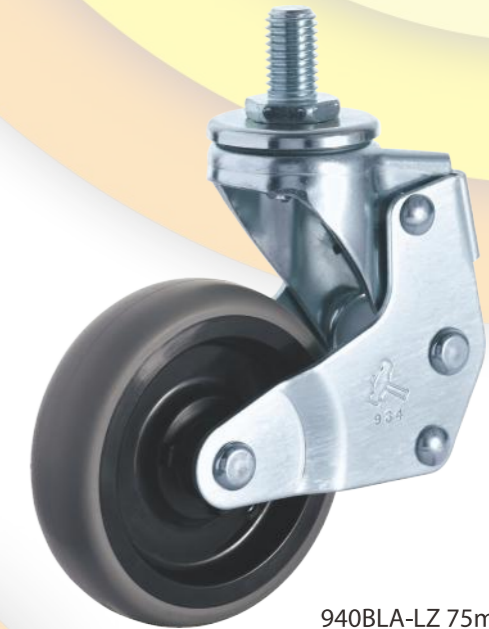
- You can choose from three types of built-in springs (set load) corresponding to the load you are using.
- The set load indicates the load that provides the best cushioning effect against vibration.
- Ball bearings are installed to swivel part on 940BBL/BLA for quieter and smoother turning performance.

# Mini Cushion Caster

Keep calm from rattling and noise.



940BBL-LZ 75mm



940BLA-LZ 75mm



Stopper type



Fixed type

**UPDATED;**

Stopper type and Fixed type are now added to enhance the lineup.

**Available in 3" wheel**

Mini-cushion caster is added to cushion caster lineup, expanding its potential with 3" wheel range.

**Built-in Kick-spring**

Achived a low-cost innovation with simple buffering mechanism.

**Elastomer tread**

New standard Elastomer wheel keeps your floor clean without any scratch or marking.

940L series can be manufactured in a variety of mounting types and used in a wider range of fields.



Please consult our sale offices below for more details.

Spring code	Set load (1pc)
	daN
1	8
2	14
3	20

Instruction video



**Manufacturing Factory**  
Headquarters factory  
4-7-35, Nishi-Iwata, Higashi-Osaka, Osaka 578-0947 Japan  
Hirakata factory  
3-2-1, Shodaidajika, Hirakata, Osaka 573-1132 Japan

**HAMMER CASTER SALES**

**Hammer Caster Sales Co., Ltd. (as Sales company)**  
Tokyo Branch  
6-5-4, Shimbashi, Minato-ku, Tokyo 105-0004 Japan  
Osaka Branch  
10-35, Shinjo-Nishi, Higashi-Osaka, Osaka 578-0964 Japan

Please feel free to ask for any caster consultancy.  
E-mail : info@hammer-caster.co.jp  
Web : www.hammer-caster.com

Click and follow our official SNS accounts.



www.facebook.com/hammercasterofficial/



www.instagram.com/hammer\_caster\_official/

Copyright © 2022 Hammer Caster Co., Ltd. All Rights Reserved.

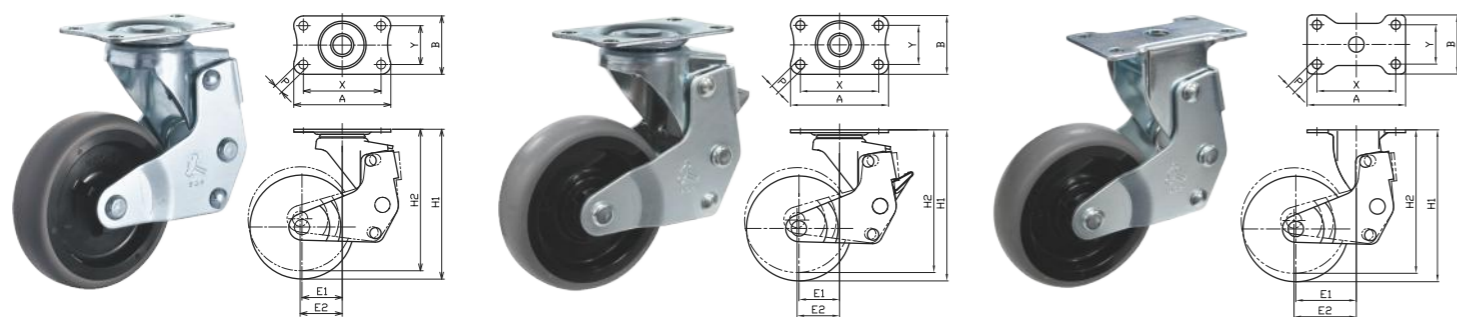
**Cushion Caster 940L**

CUSHION PLATE RoHS

Swivel 940L

Swivel with stopper 935L

Fixed 940LR



Caster type	Product code				Set load 1pc(daN)	Overall height H1~H2 mm	Fitting plate Ax Bmm	Fitting pitch Xx Ymm	Hole diameter Pmm	Offset E1~E2 mm	Swivel radius mm
	Model No.	Spring code No.	Wheel	Size (mm)							
Swivel	940 L	-	L	75	8~20	108~102	70x42	56x28	6.5	29.0~30.3	70
Swivel with stopper	935 L	-	L	75	8~20	108~102	70x42	56x28	6.5	29.0~30.3	70
Fixed	940 LR	-	L	75	8~20	108~102	70x42	56x28	6.5	43.0~44.3	-

**Cushion Caster 940LA**

CUSHION THREAD RoHS

Swivel 940LA

Swivel with stopper 935LA



Caster type	Product code				Set load 1pc(daN)	Overall height H1~H2 mm	Thread head T mm	Stem length L mm	Offset E1~E2 mm	Swivel radius mm
	Model No.	Spring code No.	Wheel	Size (mm)						
Swivel	940 LA	-	L	75	8~20	111~105	M12xP1.75	20	29.0~30.3	70
Swivel with stopper	935 LA	-	L	75	8~20	111~105	M12xP1.75	20	29.0~30.3	70

**Product feature**

Cushion spring list

Spring code No.	Set load per pc daN
1	8
2	14
3	20

Please specify the spring code at order.

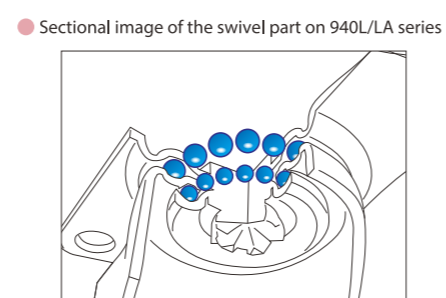
Order example

Bracket No. Series No. Spring Code No. Wheel type Wheel size

940 L - 2 L 75

Recommended wheel: L wheel (429E-L75) Elastomer PP hub

※LZ wheel [429E-LZ75] is also available.



Double thrust bearing structure is installed at the swivel section

- Please select the built-in spring (set load) corresponding to the load at the use.
- The set load indicates the load that provides the best cushioning effect against vibration.
- Please observe the set load.

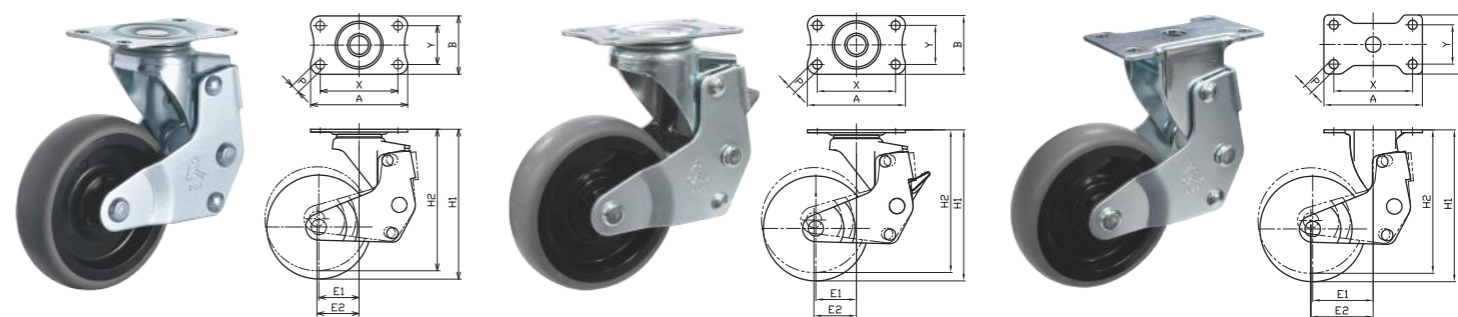
**[Quiet] Cushion Caster 940BBL**

CUSHION PLATE QUIET RoHS

Swivel 940BBL

Swivel with stopper 935BBL

Fixed 940LR



Caster type	Product code				Set load 1pc(daN)	Overall height H1~H2 mm	Fitting plate Ax Bmm	Fitting pitch Xx Ymm	Hole diameter Pmm	Offset E1~E2 mm	Swivel radius mm
	Model No.	Spring code No.	Wheel	Size (mm)							
Swivel	940 BBL	-	LZ	75	8~20	108~102	70x42	56x28	6.5	29.0~30.3	70
Swivel with stopper	935 BBL	-	LZ	75	8~20	108~102	70x42	56x28	6.5	29.0~30.3	70
Fixed	940 LR	-	LZ	75	8~20	108~102	70x42	56x28	6.5	43.0~44.3	-

**[Quiet] Cushion Caster 940BLA**

CUSHION THREAD QUIET RoHS

Swivel 940BLA

Swivel with stopper 935BLA



Caster type	Product code				Set load 1pc(daN)	Overall height H1~H2 mm	Thread head T mm	Stem length L mm	Offset E1~E2 mm	Swivel radius mm
	Model No.	Spring code No.	Wheel	Size (mm)						
Swivel	940 BLA	-	LZ	75	8~20	111~105	M12xP1.75	20	29.0~30.3	70
Swivel with stopper	935 BLA	-	LZ	75	8~20	111~105	M12xP1.75	20	29.0~30.3	70

**Product Specification**

Cushion spring list

Spring code No.	Set load per pc daN
1	8
2	14
3	20

Please specify the spring code at order.

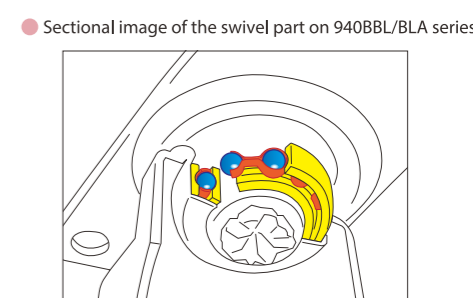
Order example

Bracket No. Series No. Spring Code No. Wheel type Wheel size

940BBL - 2 LZ 75

Recommended wheel: LZ wheel (429E-LZ75) Elastomer PP hub ball bearing

※L wheel [429E-L75] is also available.



Ball bearings are installed for quiet and smooth turning.

- Please select the built-in spring (set load) corresponding to the load at the use.
- The set load indicates the load that provides the best cushioning effect against vibration.
- Please observe the set load.